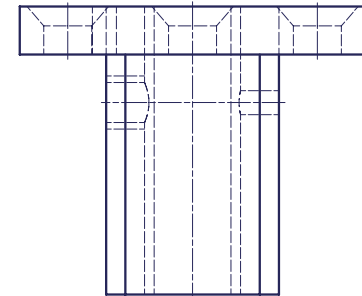
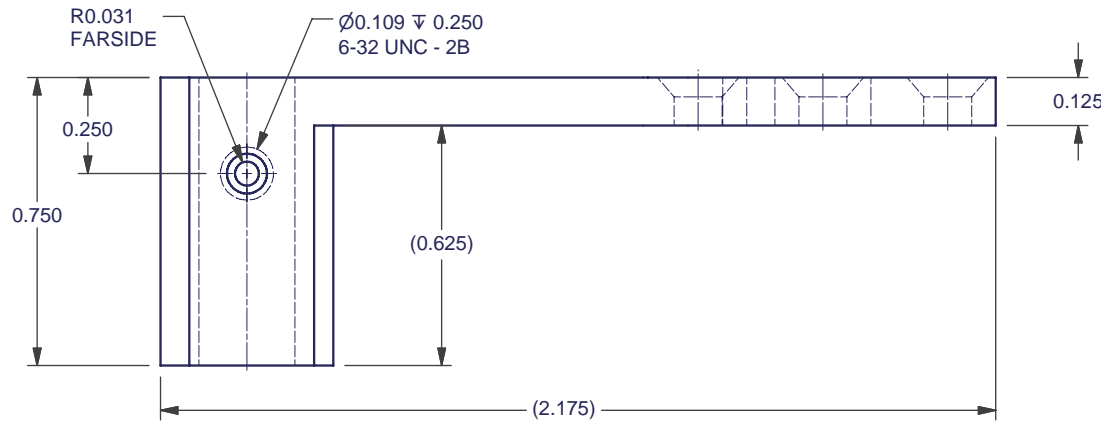


SCALE 2 : 1



SCALE 2 : 1

NOTES:

- 1 MATERIAL: AL. 6061-T6
- 2 FINISH: NONE
- 3 QTY REQ'D: 1

REV	CHANGES	DATE	BY	MATERIAL:	UNLESS OTHERWISE SPECIFIED: DIMENSIONS ARE IN INCHES BRAKE EDGES / REMOVE BURRS	**** FourStar	FS-04-006	FILTER WHEELS	<b>THE OBSERVATORIES</b> CARNEGIE INSTITUTION OF WASHINGTON 813 SANTA BARBARA STREET PASADENA, CA. 91101-1232		DWG NO.	REV. <b>A</b>
A	Production	6/26/2007	ERK	FINISH:			NEXT ASSY	USED ON				
				SCALE:	TOLERANCES:	Designer: Persson	11/27/2004					
				As Noted	X.X±0.1      ANGLES:0.5° X.XX±0.01    FRACTIONS:± 1/16 X.XXX±0.003	Drawn: Koch	6/26/2007	Drawings Printed on:	6/26/2007			

DO NOT SCALE DRAWING