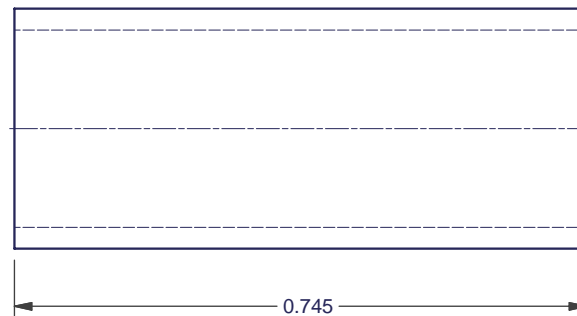
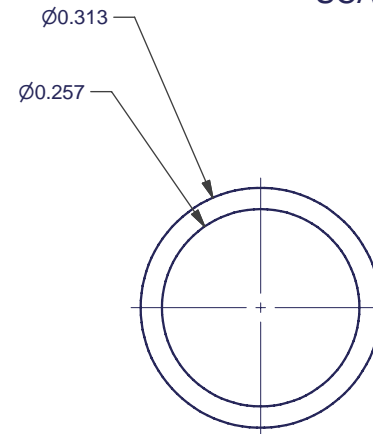


SCALE 4 : 1



SCALE 4 : 1

NOTES:

1 MATERIAL: SSTL, MAKE FROM 89785K828
McMASTER OR EQUIVALENT

2 FINISH: NONE

3 QTY REQ'D: 1

REV	CHANGES	DATE	BY	MATERIAL:	UNLESS OTHERWISE SPECIFIED: DIMENSIONS ARE IN INCHES BRAKE EDGES / REMOVE BURRS	**** FourStar	FS-04-002	FW TOWER	<h1>THE OBSERVATORIES</h1> <p>CARNEGIE INSTITUTION OF WASHINGTON 813 SANTA BARBARA STREET PASADENA, CA. 91101-1232</p>	
A	Production	4/1/2007	ERK	1			TOLERANCES:	NEXT ASSY		
				FINISH:	ANGLES:0.5°	Designer: Persson	8/9/2005			SPACER,0.257 ID x 0.745 LG.
				2	FRACTIONS:± 1/16	Drawn: Koch	4/1/2007	Drawings Printed on:	4/1/2007	
				SCALE:	DO NOT SCALE DRAWING					
				As Noted						