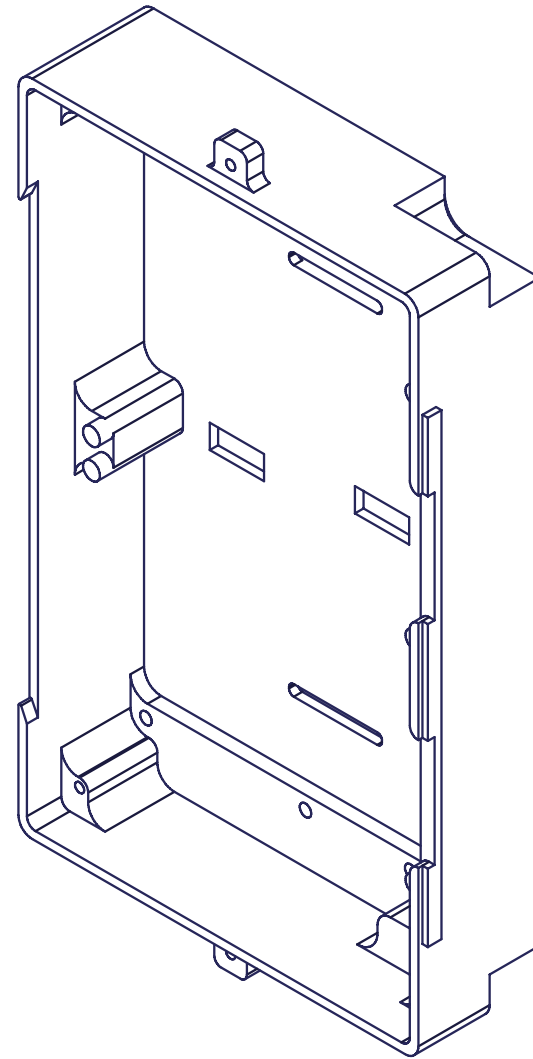


SCALE 1 : 1



SCALE 1 : 1

NOTES:

- 1 MATERIAL: AL. 6061-T6
- 2 FINISH: NONE
- 3 QTY REQ'D: 3

REV	CHANGES	DATE	BY	MATERIAL:
A	Production	1/10/2008	ERK	1
				FINISH:
				2
				SCALE:
				As Noted

UNLESS OTHERWISE SPECIFIED:
 DIMENSIONS ARE IN INCHES
 BRAKE EDGES / REMOVE BURRS

TOLERANCES:
 X.X± 0.03 ANGLES:0.5°
 X.XX± 0.01 FRACTIONS:± 1/16
 X.XXX± 0.003

DO NOT SCALE DRAWING

FourStar

Designer: Persson
 Drawn: Koch

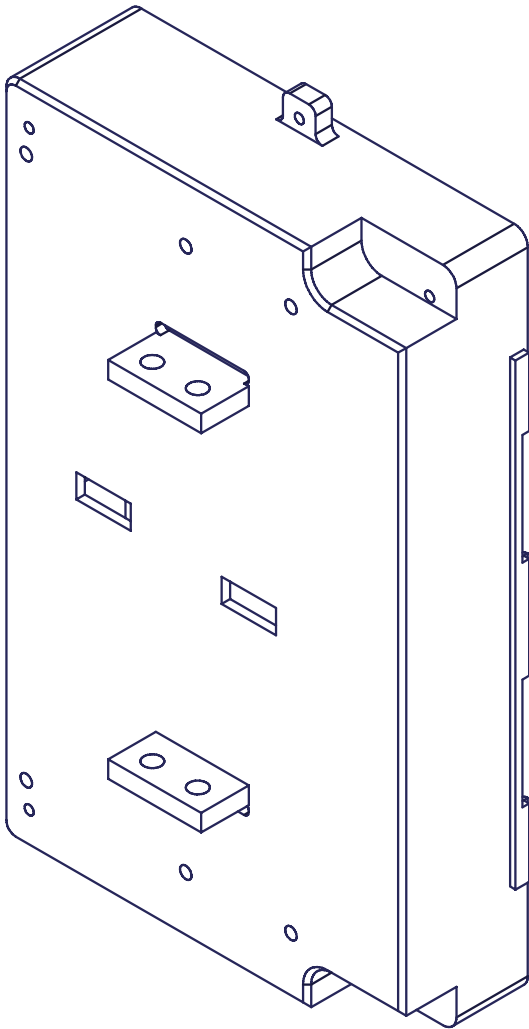
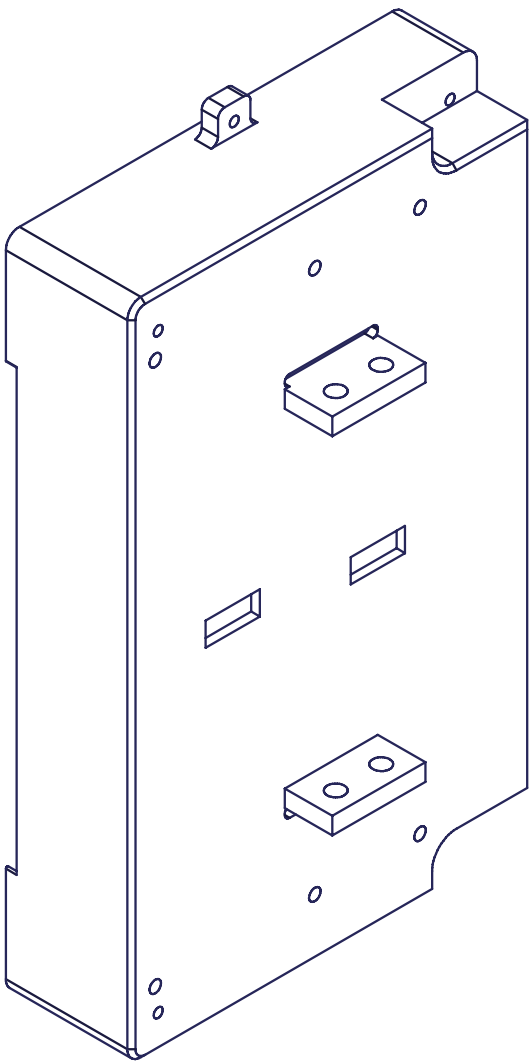
FS-05-001	ASIC ASSY
NEXT ASSY	USED ON
APPLICATION	
12/18/2006	
1/10/2008	Drawings Printed on: 1/10/2008

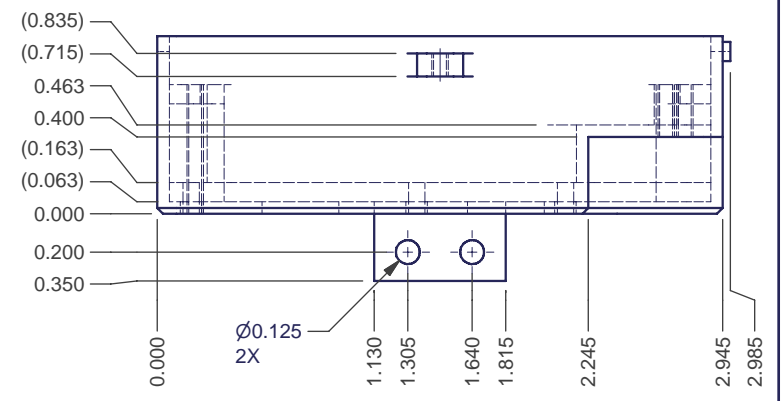
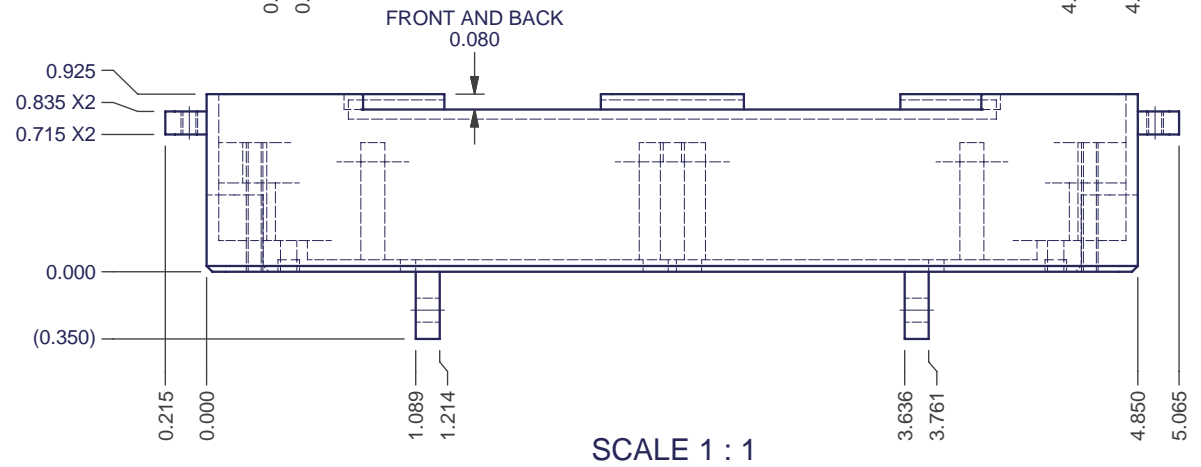
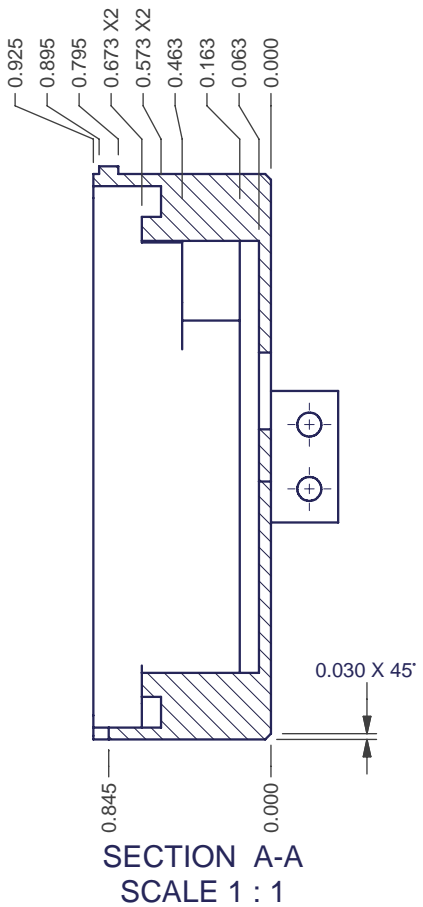
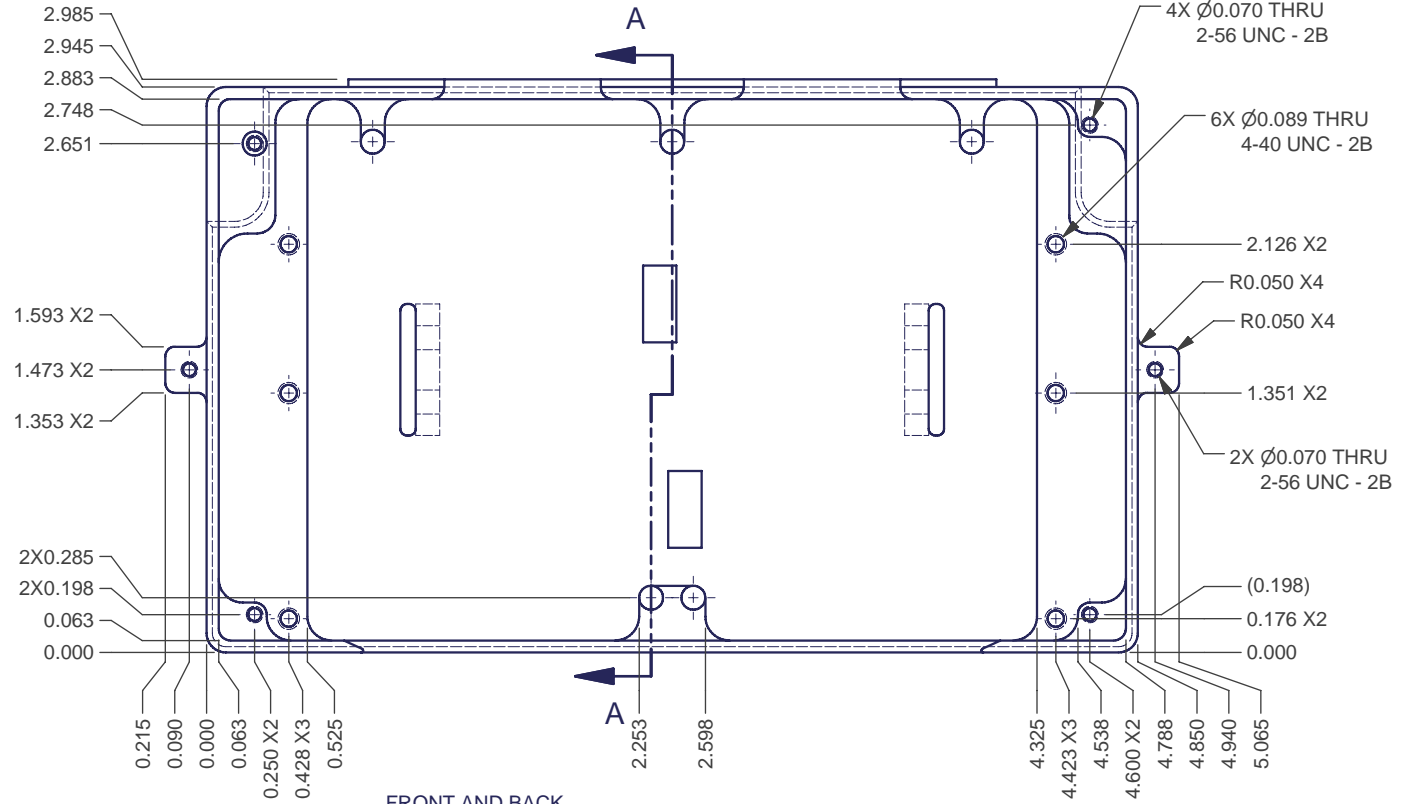
THE OBSERVATORIES
 CARNegie INSTITUTION OF WASHINGTON
 813 SANTA BARBARA STREET PASADENA, CA. 91101-1232

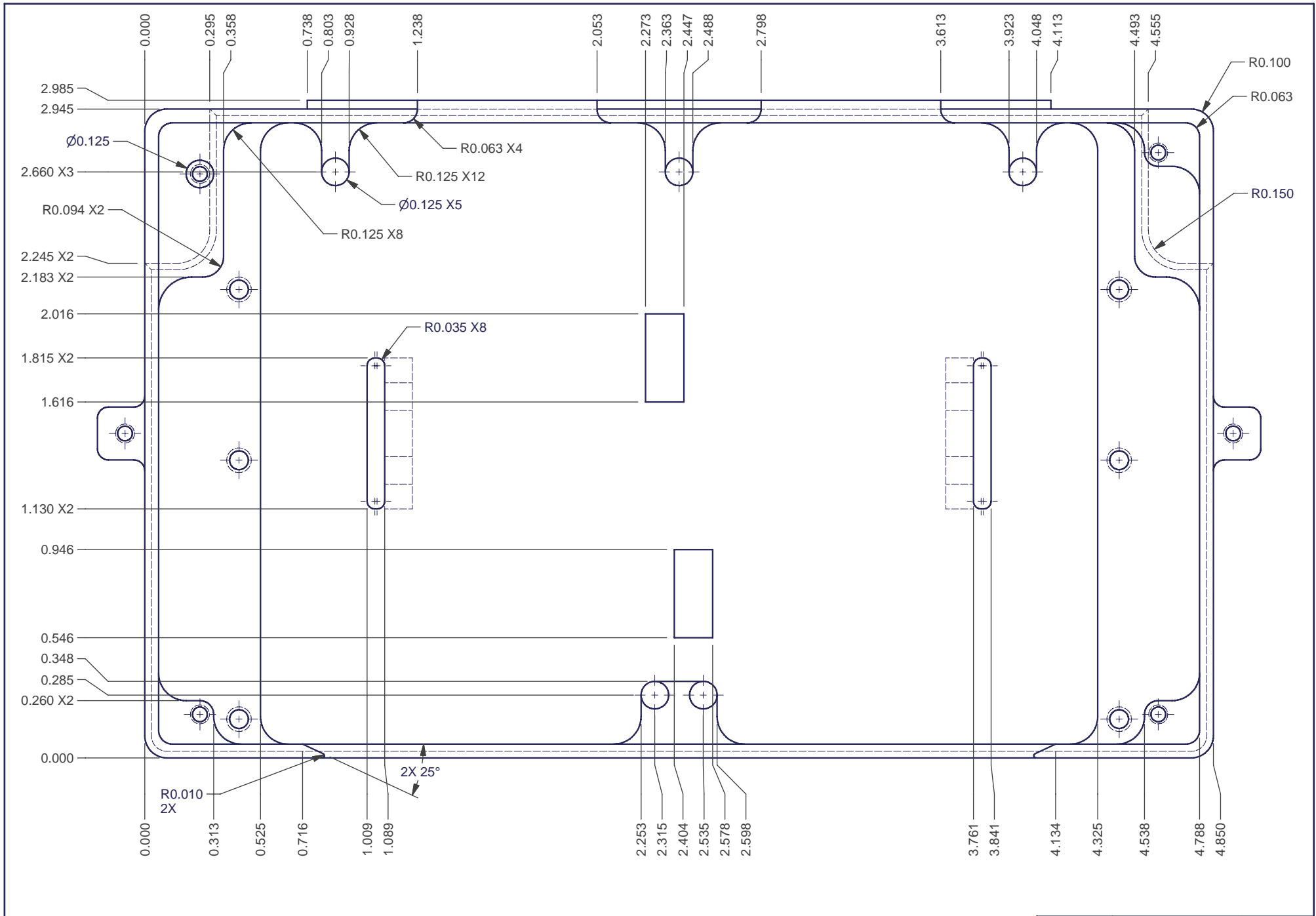
BOX,ASIC ENCLOSURE

DWG NO. **FS-15-001**

REV. **A**
 SHT 1 OF 4







SCALE 1.75 : 1

**** FourStar	DWG. NO.	REV. A
	FS-15-001	SHT 4 OF 4