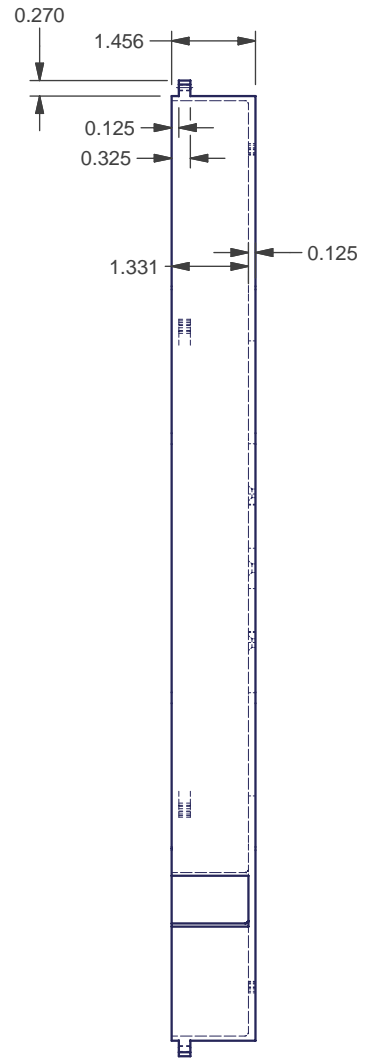
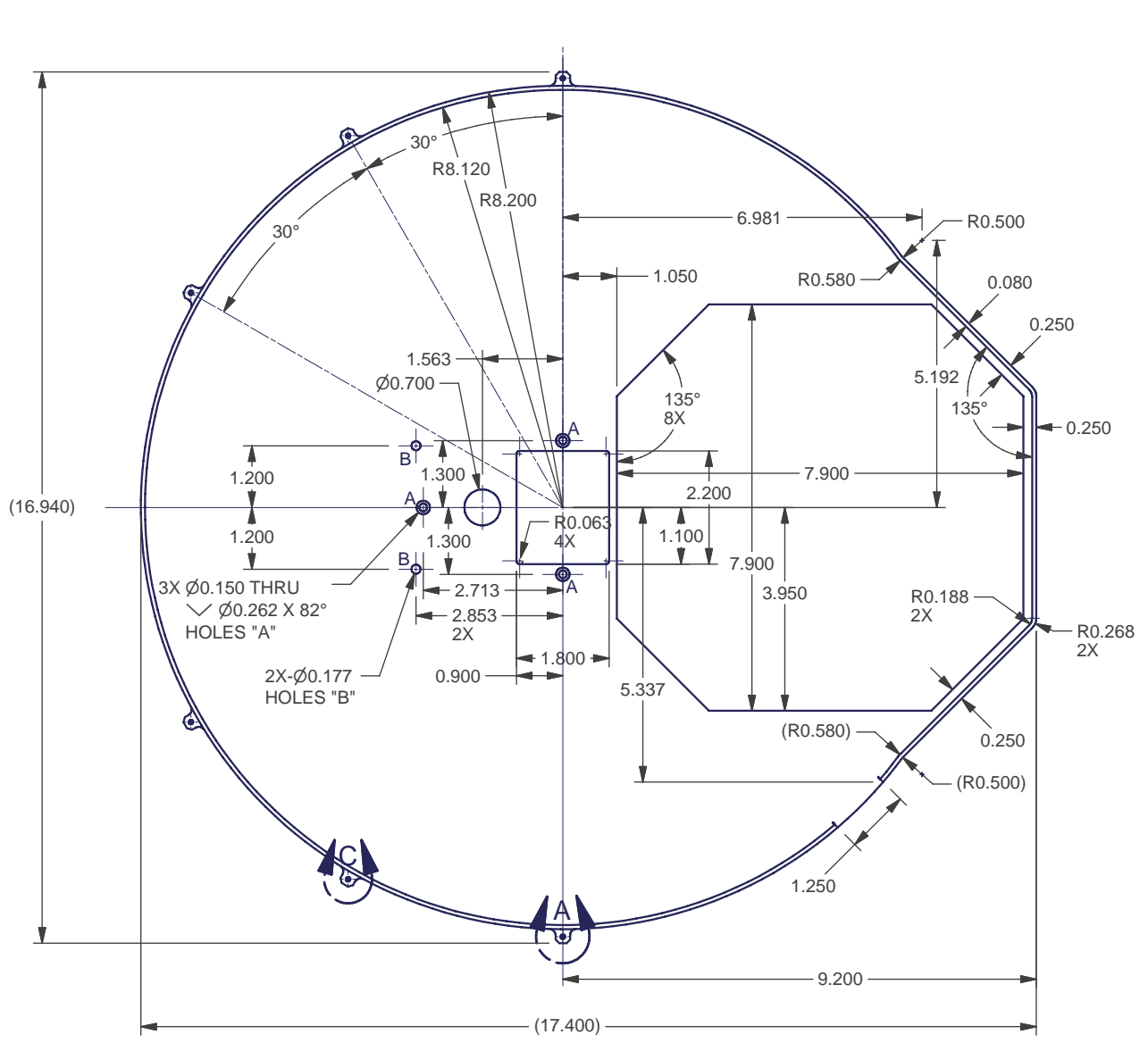
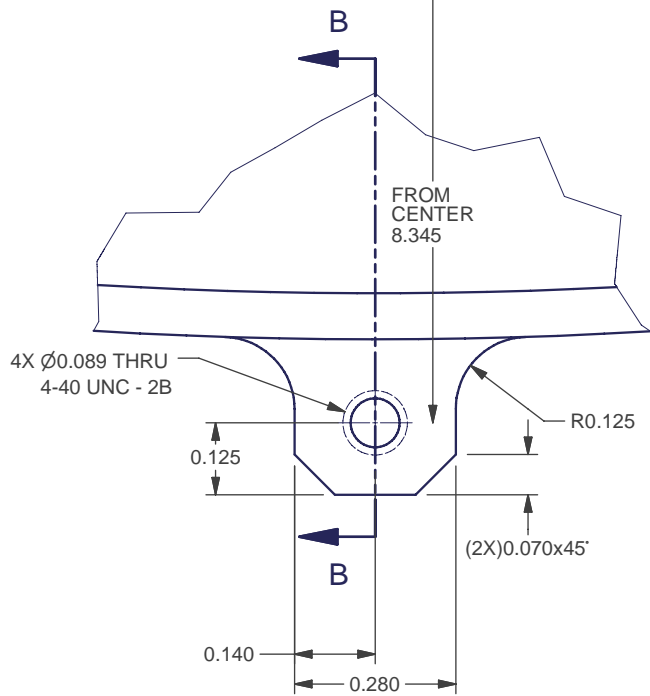
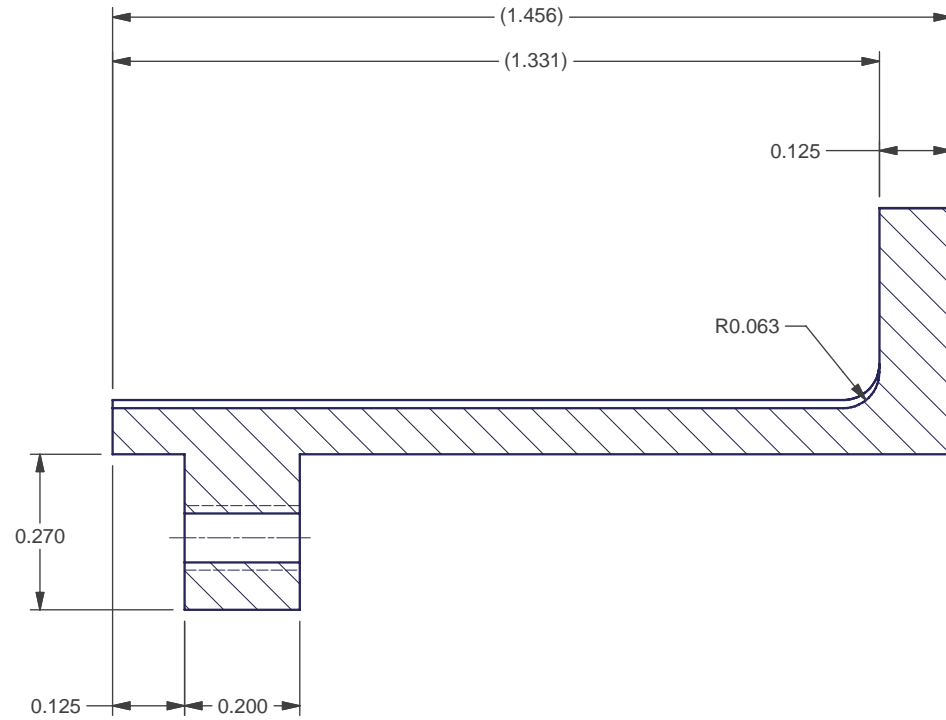


REV	CHANGES	DATE	BY	MATERIAL:	UNLESS OTHERWISE SPECIFIED: DIMENSIONS ARE IN INCHES BRAKE EDGES / REMOVE BURRS	**** FourStar	FS-06-001	FFW	THE OBSERVATORIES CARNEGIE INSTITUTION OF WASHINGTON 813 SANTA BARBARA STREET PASADENA, CA. 91101-1232		
NR	Check Print	7/26/2006	ERK	1			TOLERANCES:	NEXT ASSY			USED ON
A	Production	2/11/2008	ERK	2	X.X± 0.1 ANGLES:0.5° X.XX± 0.01 FRACTIONS:± 1/16 X.XXX± 0.003	Designer: Persson	7/19/2006			DWG NO.	
				SCALE: As Noted	DO NOT SCALE DRAWING	Drawn: Koch	7/19/2006	Drawings Printed on:	2/11/2008	COVER, FIELD FLATTENER WHEEL	REV. A
										FS-16-001	SHT 1 OF 4

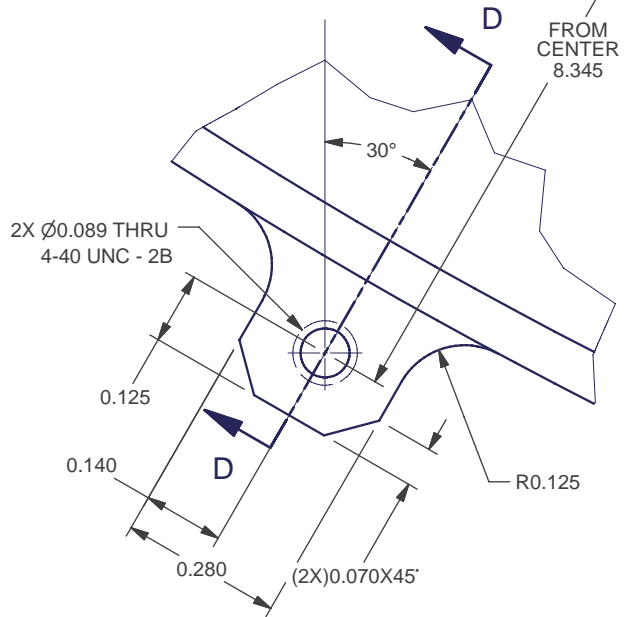




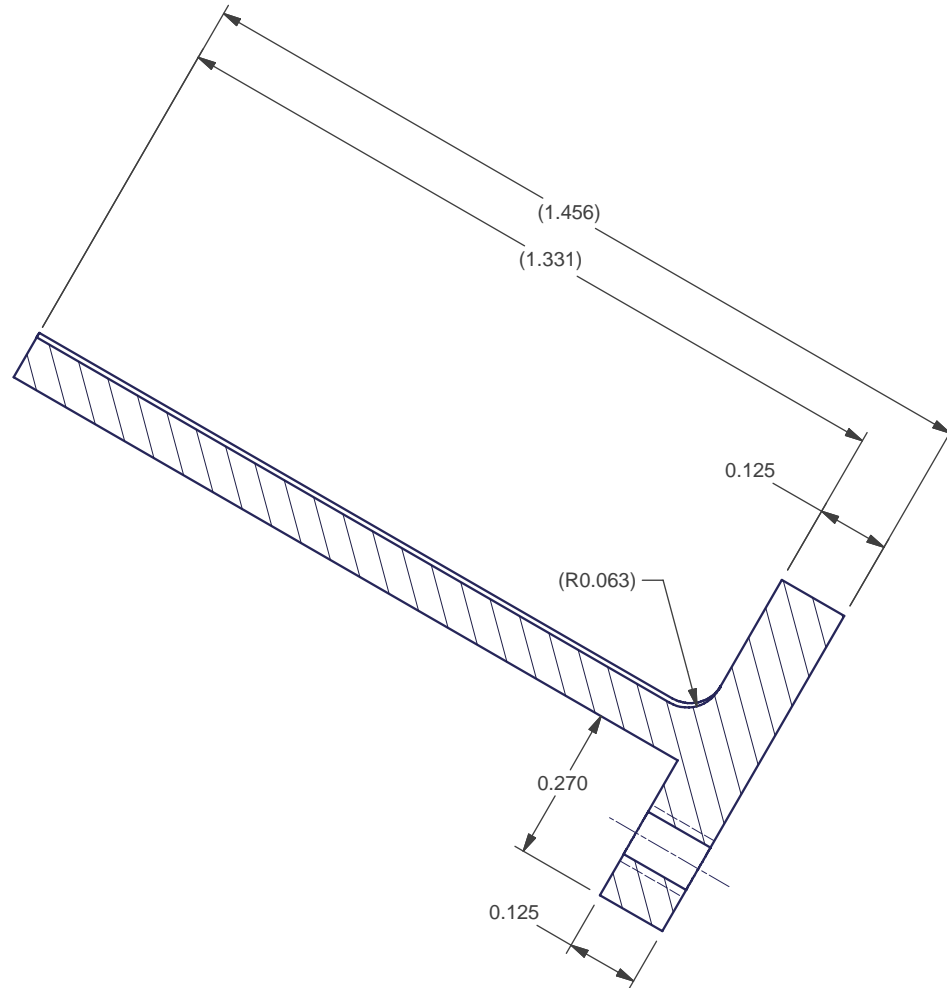
DETAIL A
SCALE 3 : 1
4 PLACES
TOP OF COVER



SECTION B-B
SCALE 3 : 1



DETAIL C
 SCALE 3 : 1
 2 PLACES
 BOTTOM OF COVER



SECTION D-D
 SCALE 3 : 1