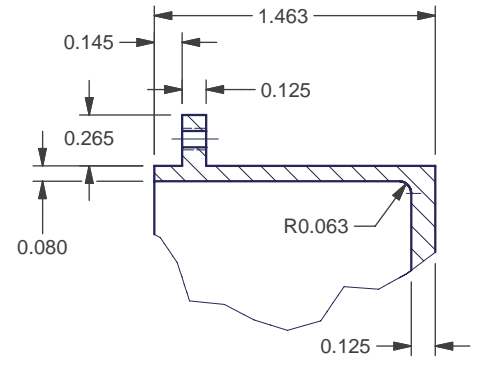
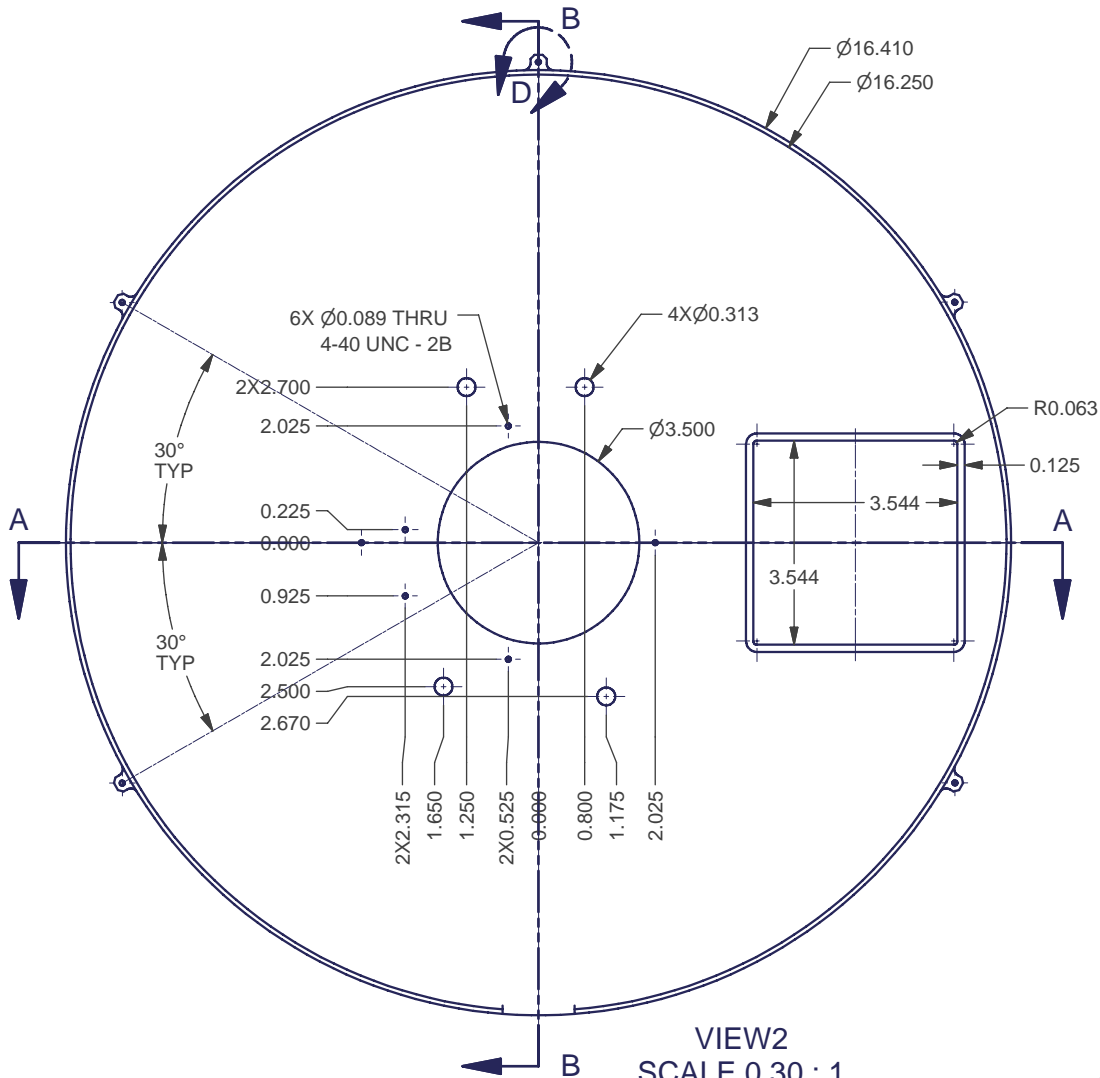


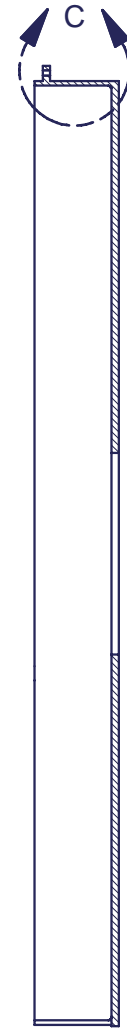
SECTION A-A
SCALE 0.30 : 1



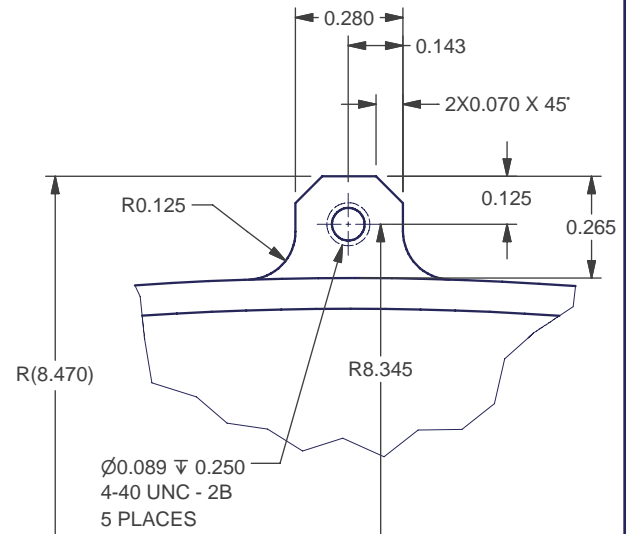
DETAIL C
SCALE 1 : 1



VIEW 2
SCALE 0.30 : 1



SECTION B-B
SCALE 0.30 : 1



DETAIL D
SCALE 2 : 1
TYP. 5 PL.

**** FourStar	DWG. NO. FS-16-003	REV. A
		SHT2 OF 2