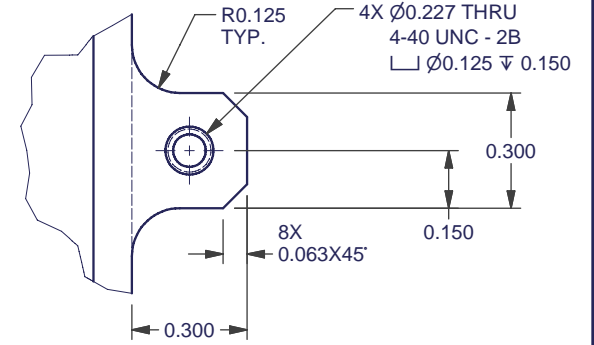
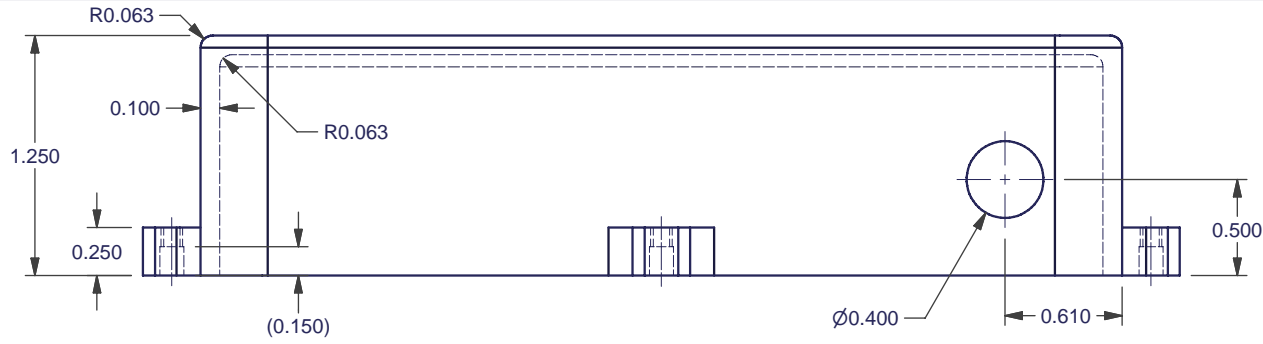


SCALE 1 : 1

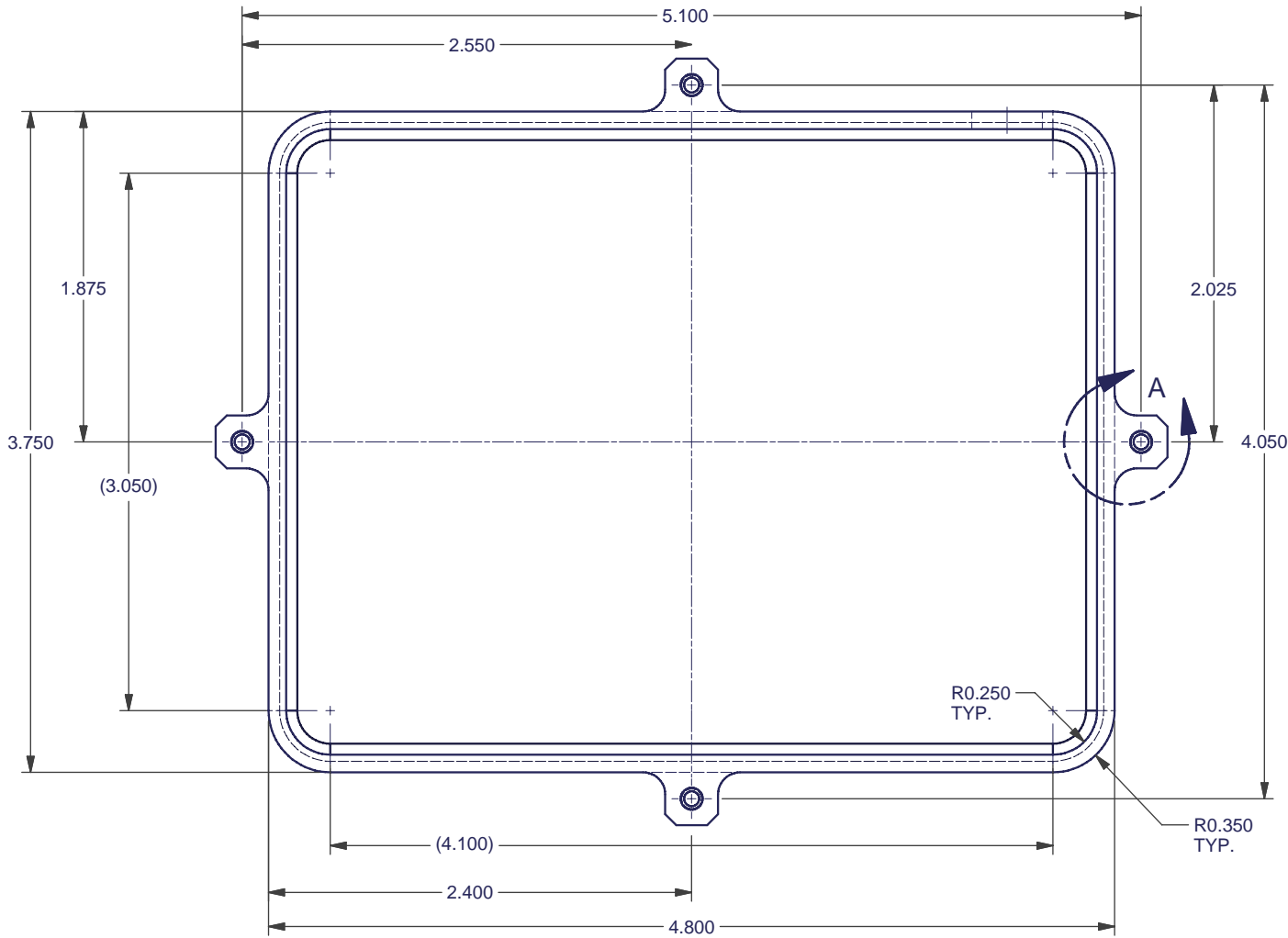
NOTES:

- 1 MATERIAL: AL 6061-T6
- 2 FINISH: NONE
- 3 QTY REQ'D: 1

REV	CHANGES	DATE	BY	MATERIAL:	UNLESS OTHERWISE SPECIFIED: DIMENSIONS ARE IN INCHES BRAKE EDGES / REMOVE BURRS	**** FourStar	FS-06-003	FW COVER	<h1>THE OBSERVATORIES</h1> <p>CARNEGIE INSTITUTION OF WASHINGTON 813 SANTA BARBARA STREET PASADENA, CA. 91101-1232</p>	
A	Production	2/9/2008	ERK	1			TOLERANCES:	NEXT ASSY		
				FINISH:	ANGLES:0.5°	Designer: Persson	12/5/2004			COVER,FW POSITION SWITCH
				2	FRACTIONS:± 1/16	Drawn: Koch	2/9/2008	Drawings Printed on:	2/9/2008	
				SCALE:	X.X± 0.03					SHT 1 OF 2
				As Noted	X.XX± 0.01					FS-16-004
					X.XXX± 0.003	DO NOT SCALE DRAWING				



DETAIL A
SCALE 2 : 1



SCALE 1 : 1

