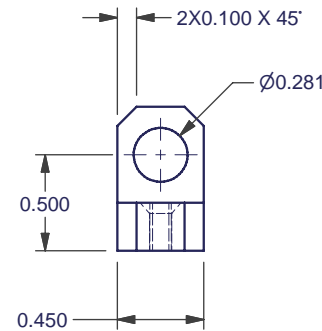
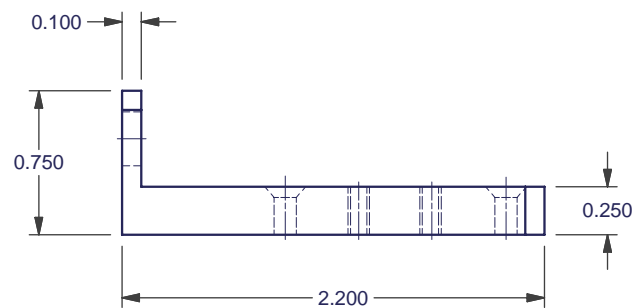


SCALE 1 : 1



SCALE 1 : 1

NOTES:

- 1 MATERIAL: AL. 6061-T6
- 2 FINISH: NONE
- 3 QTY REQ'D: 1

REV	CHANGES	DATE	BY	MATERIAL:	UNLESS OTHERWISE SPECIFIED: DIMENSIONS ARE IN INCHES BRAKE EDGES / REMOVE BURRS	<b>*** FourStar</b>	FS-06-004	FW COVERS	<h1>THE OBSERVATORIES</h1> <p>CARNEGIE INSTITUTION OF WASHINGTON 813 SANTA BARBARA STREET PASADENA, CA. 91101-1232</p>		
A	Production	2/8/2008	ERK	FINISH:	TOLERANCES: X.X± 0.03 ANGLES:0.5° X.XX± 0.01 FRACTIONS:± 1/16		NEXT ASSY	USED ON			
				SCALE:	<b>DO NOT SCALE DRAWING</b>	APPLICATION		DWG NO.			
				As Noted		Designer: Persson	5/7/2006			SUPPORT, LEMO CONN. & SWITCHES	REV. <b>A</b>
						Drawn: Koch	2/8/2008	Drawings Printed on:	2/8/2008	<b>FS-16-008</b>	SHT 1 OF 1