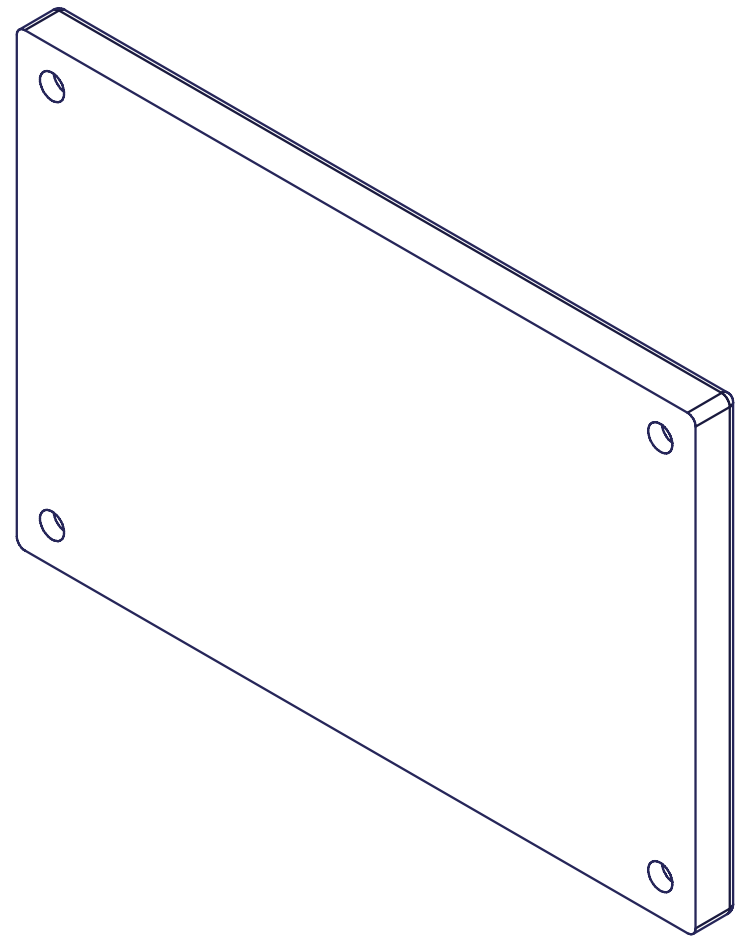


FRONT VIEW
SCALE 2 : 1

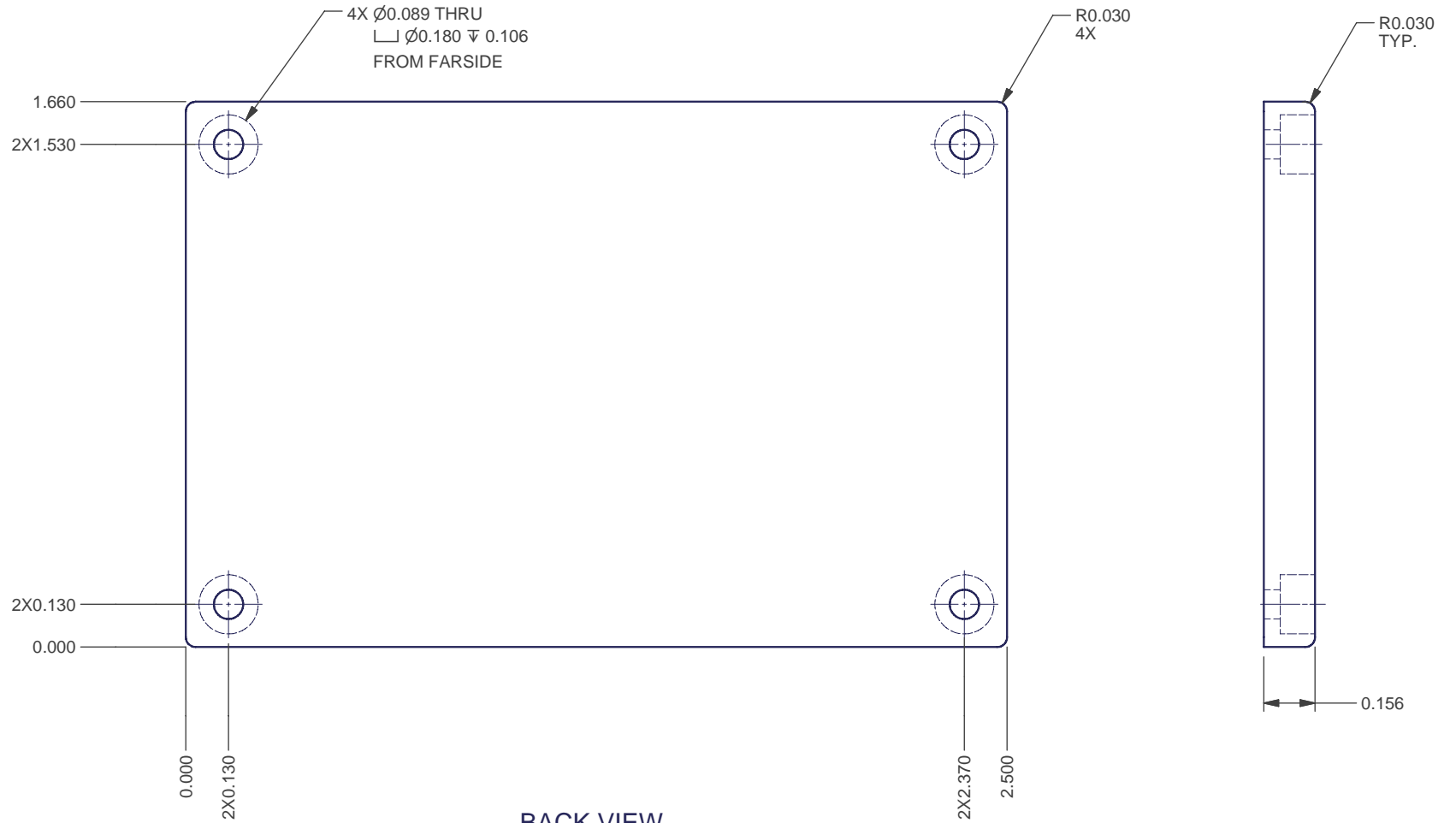


BACK VIEW
SCALE 2 : 1

NOTES:

- 1 MATERIAL: AL.6061-T6
- 2 FINISH: NONE
- 3 QTY REQ'D: 3

REV	CHANGES	DATE	BY	MATERIAL:	UNLESS OTHERWISE SPECIFIED: DIMENSIONS ARE IN INCHES BRAKE EDGES / REMOVE BURRS	**** FourStar	FS-07-001 -> 003	Decoder	THE OBSERVATORIES CARNEGIE INSTITUTION OF WASHINGTON 813 SANTA BARBARA STREET PASADENA, CA. 91101-1232
NR	Check Print	7/29/2006	ERK	1			TOLERANCES:	NEXT ASSY	
A	Production	11/9/2007	ERK	2	X.X± 0.03 ANGLES:0.5° X.XX± 0.01 FRACTIONS:± 1/16 X.XXX± 0.003	APPLICATION			
				SCALE: As Noted	DO NOT SCALE DRAWING	Designer: Persson	7/30/2006		
						Drawn: Koch	7/30/2006	Drawings Printed on: 11/17/2007	DWG NO. FS-17-008
									COVER, BACK, DECODER BOX
									REV. A SHT 1 OF 2



BACK VIEW
SCALE 2 : 1

**** FourStar	DWG. NO.	REV. A
	FS-17-008	SHT2 OF 2