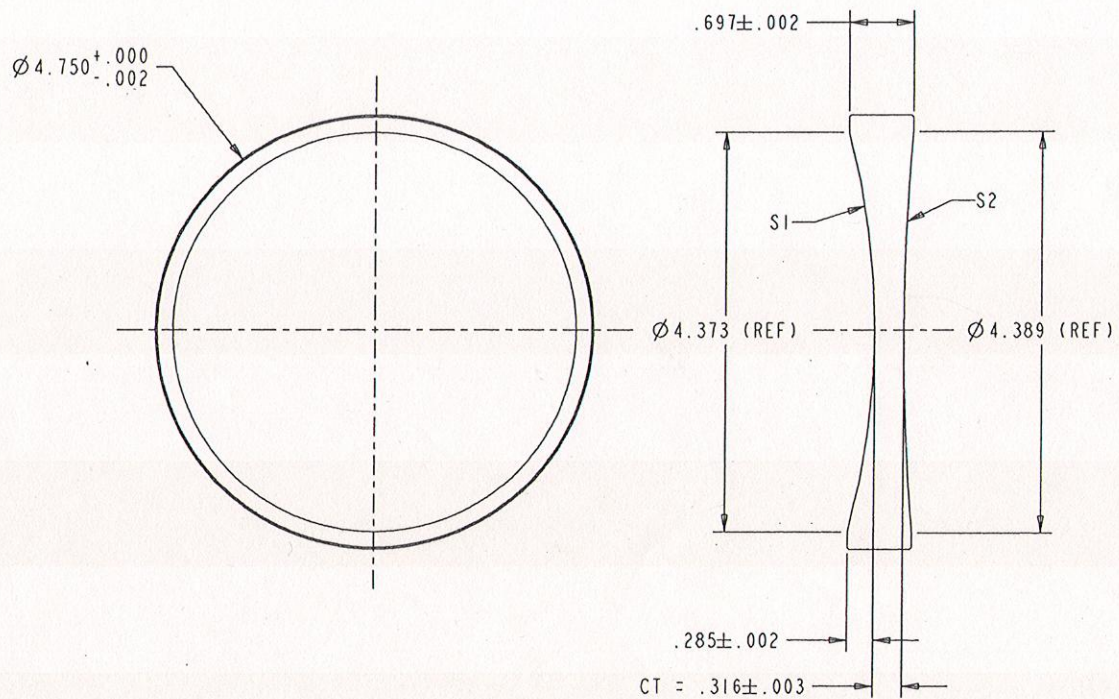



SURFACE NO.	SURFACE		SPHERICAL		CONIC CONSTANT	MIN. CLEAR APERTURE	T.P. FIT FR. 0632.8nm	IRREG. FR. 0632.8nm	MICRO-ROUGH. Å RMS	COSMETIC SURF. QUAL.	MAX. WEDGE (E.T.V.)	COATING
	CVX	CCV	RADIUS	TOL.								
S1	--	X	8.5297	± 0.0085	0	4.20	--	4.0	< 40	40-20	0.001	SEE NOTE 3
S2	--	X	25.135	± 0.251	0	4.20	--	4.0	< 40	40-20	0.001	SEE NOTE 3



NOTES:

1. ALL DIMENSIONS ARE IN INCHES
2. MATERIAL: OHARA PBH1
3. BBAR COATINGS ON SURFACES S1 AND S2 TO PROVIDE REFLECTIVITY < 1.0% AVERAGE PER SURFACE OVER 1.0-2.4 MICRONS
4. PROTECTIVE BEVEL ON SHARP EDGES 0.020" MAX

UNLESS OTHERWISE SPECIFIED: DIMENSIONS ARE IN INCHES TOLERANCES		4-STAR  THE OBSERVATORIES	
X/XX ± 1/16	Y ± 0.03	DESIGN	DATE
.XX ± 0.01	.XXX ± 0.005	OC1W	01-Jan-01
ANGLES ± 1/2°	SURF. 125/√	L7-J	
MATERIAL	DRAWN	DATE	SIZE
OHARA PBH1	RHB	23-Sep-04	C
FINISH	APPROVED	DATE	SCALE
			1.000
		DRAWING NO.	
		4-STAR-F-0052	
		REV.	
		--	
		SHEET	
		1 OF 1	

REV.	DESCRIPTION	DATE	APPROVED

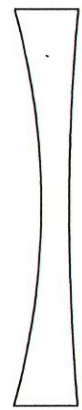
10-1-04

8.529
25.135

RADIUS	RAD TOL	IRR TOL	C.A. DIA	EDGE DIA	MATERIAL	THICK	THI TOL
-216.6530 CC	+/-0.05 %	1/10 WAVE PV	103.7	114.8010	PBH1_77	8.0140	+/-0.01
638.4200 CC	+/-0.05 %	1/10 WAVE PV	103.7				

1. ALL DIMENSIONS IN MILLIMETERS
2. BEVEL EDGES AT 45 DEG TO 1 MM MAX FACE WIDTH
3. MATERIAL: OHARA PBH1
4. SURFACE QUALITY 60-40
5. CENTER/EDGE/FACE FLAT: +/- 0.013 MM MAX RUNOUT. REPORT MEASURED VALUE.
6. GROUND SURFACES: #400 GRIT EQUIVALENT OR FINER.
7. MULTI-LAYER AR COAT REFLECTIVITY 2% PER SURFACE OVER WAVELENGTH RANGE 1.15 - 2.45 MICRONS.
8. ALL PRODUCTION MEASUREMENTS PERFORMED AT ROOM TEMPERATURE (23 C NOMINAL).
9. SURFACE IRREGULARITY SPECIFIED AT 633 NM (HE-NE LASER LINE).
10. BOTH SURFACES MATCH EXISTING JANOS TEST PLATES.

4.08 4.519 0.3155



40.00 MM

TITLE ELEMENT 7 -PBH1 FIELD FLATTENER (J BAND)			
DATE SEP 24 2004	SCALE 0.5000:1	DRAWN D. MURPHY	APPRV
PROJECT FOUR STAR - OCIW			
DRAWING		REVISION	