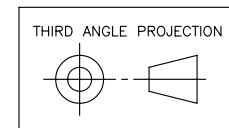
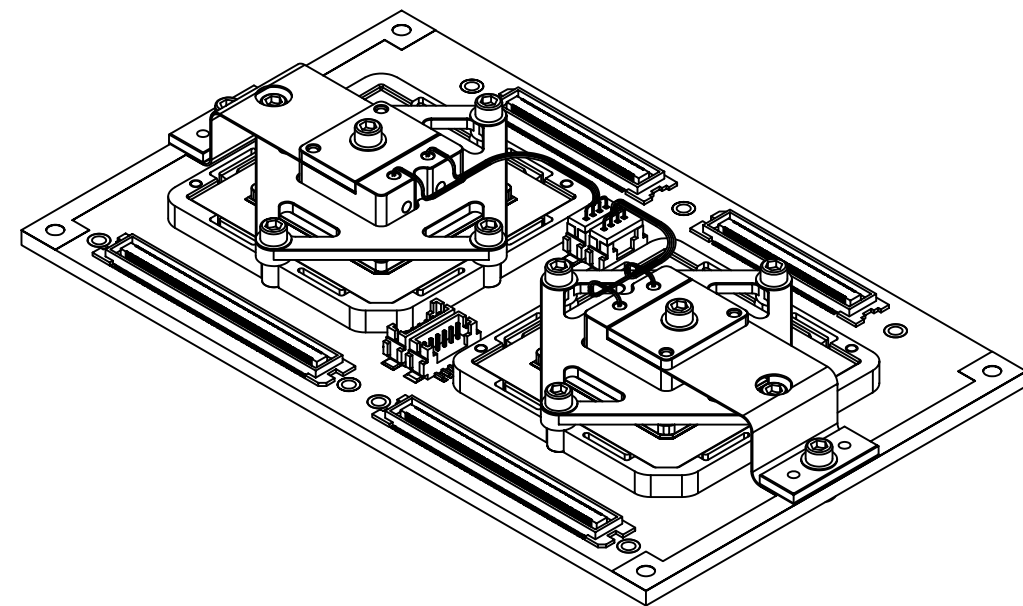
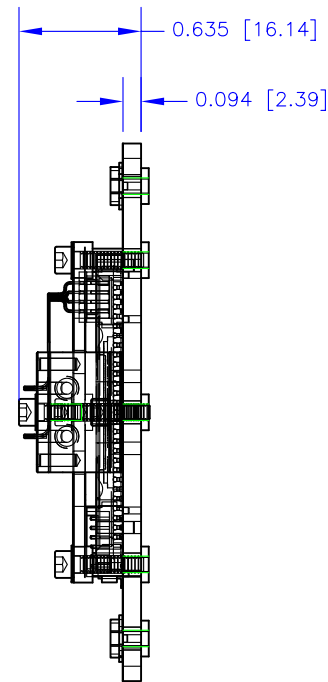
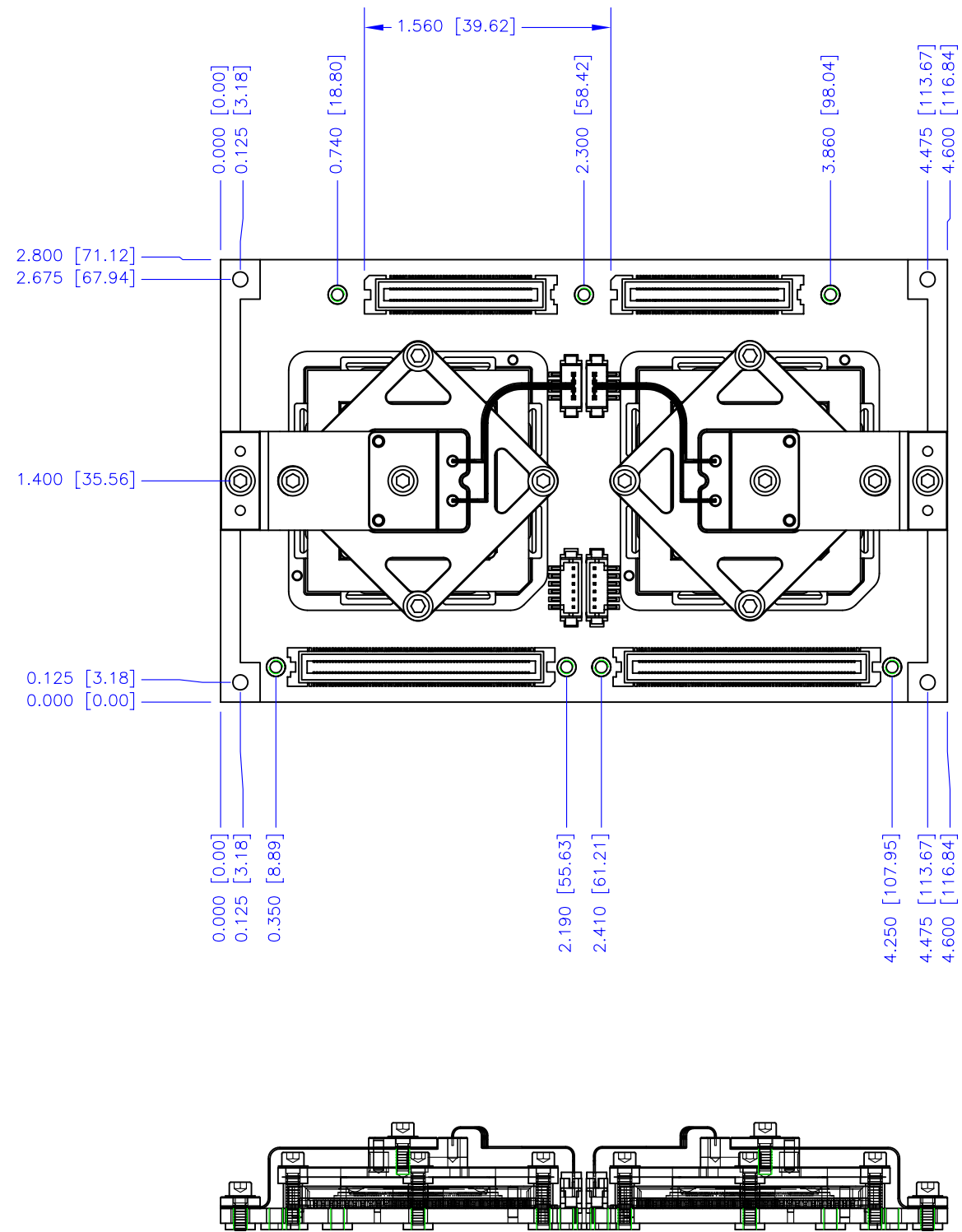


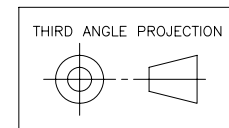
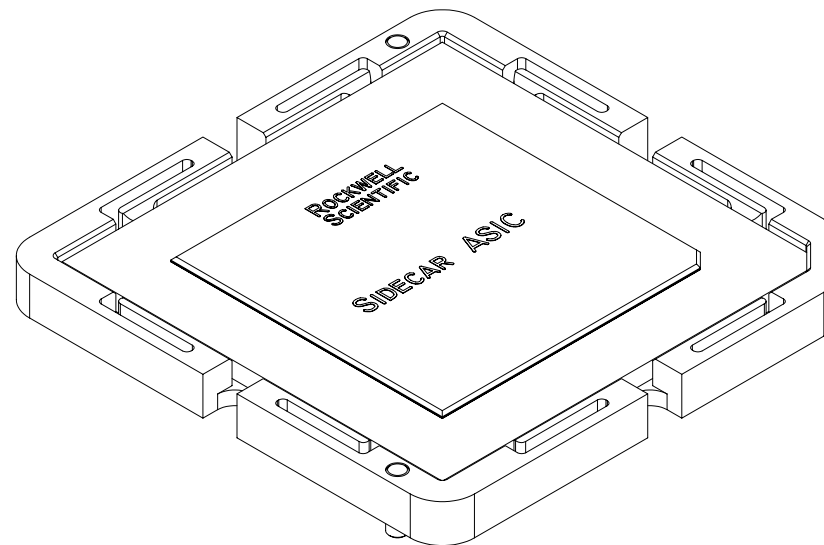
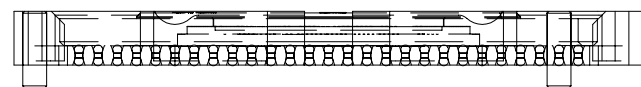
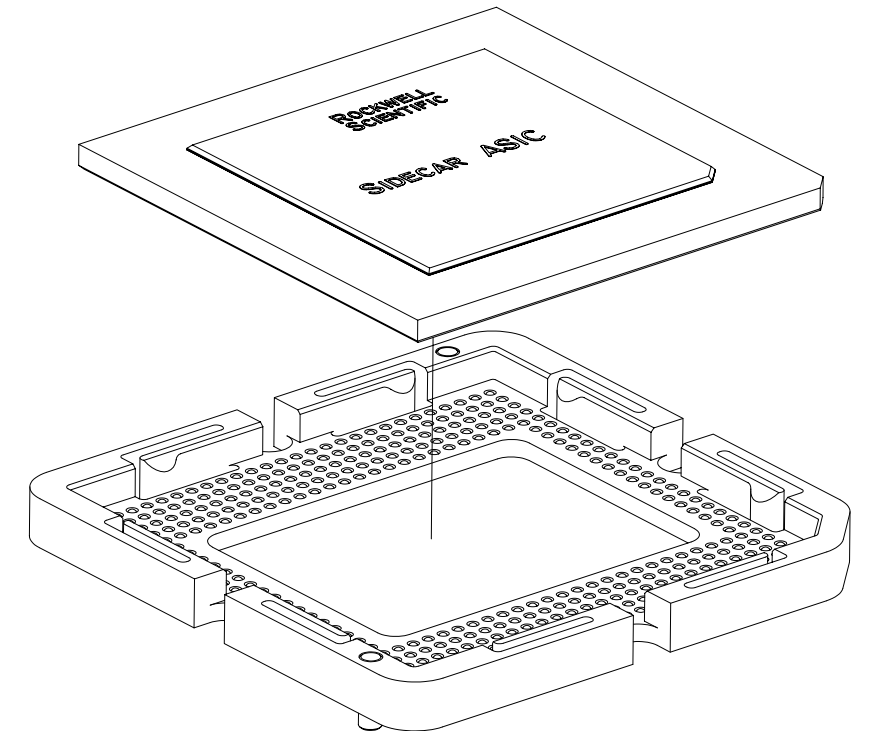
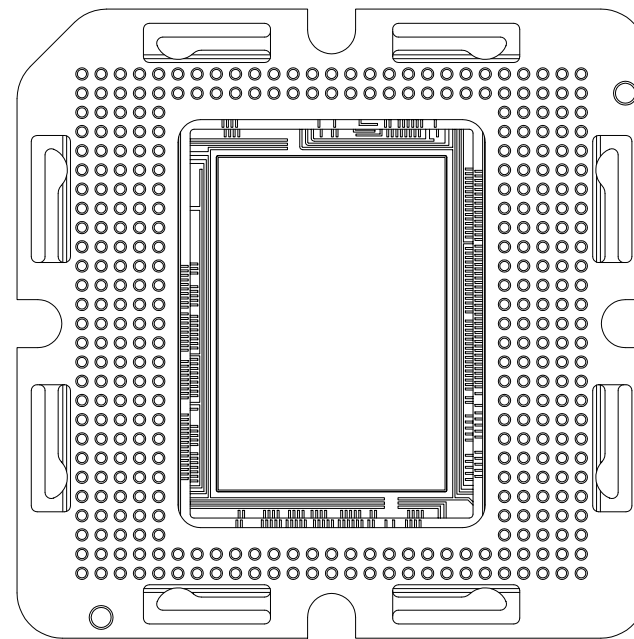
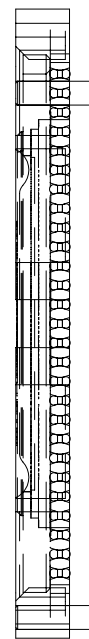
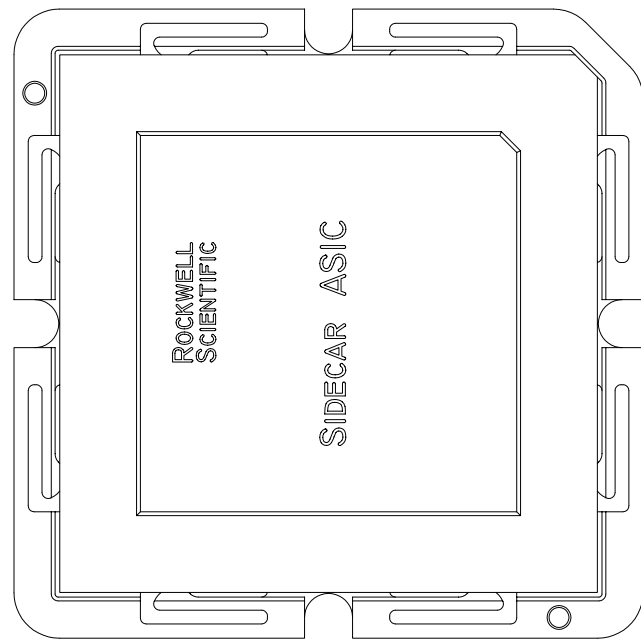
REVISIONS	
REV	DESCRIPTION



GL SCIENTIFIC, Inc.
 3367 WAIALAE AVENUE, HONOLULU, HAWAII 96816
 TEL: 808-780-9501 FAX: 808-373-7495

Filename: DUAL-ASIC_LGA_CryoPCB		DWG: DUAL SIDECAR ASIC LGA CryoPCB Assembly			
ALL DIMENSIONS IN INCHES [mm]		JOB No:		PROJECT: TELEDYNE	
TOLERANCES UNLESS OTHERWISE NOTED		DESIGN: Luppino	SIZE B	DWG NO: T06002-1001	REV: -
.X +/- 0.1		DRAWN: Luppino	DATE: 21 Oct 2006	SCALE: FULL	SHEET: 1 of 2
.XX +/- 0.01					
.XXX +/- 0.002					

REVISIONS			
REV	DESCRIPTION	DATE	BY

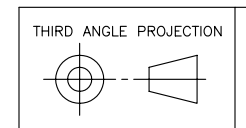
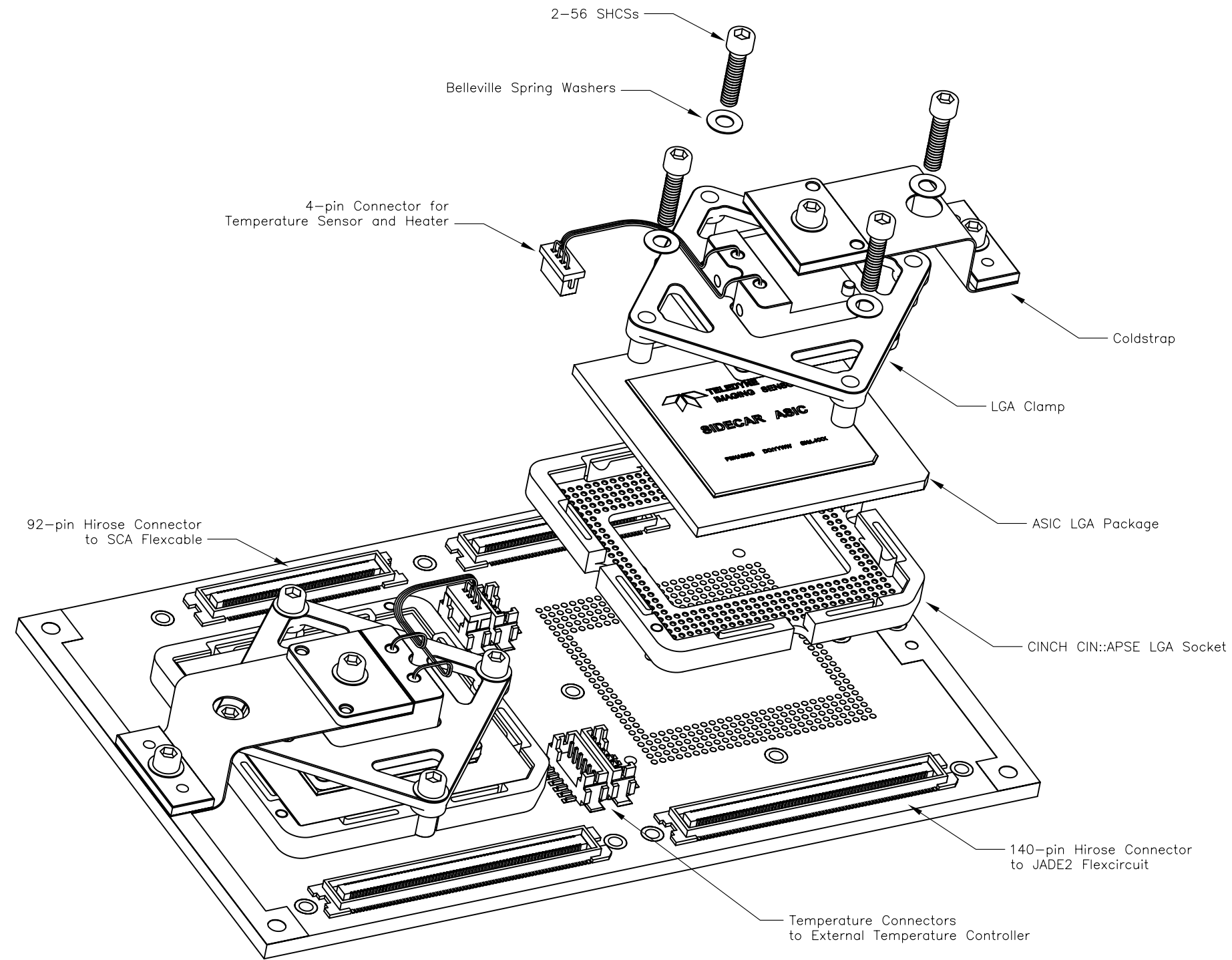


GL SCIENTIFIC

2800 WOODLAWN DRIVE, SUITE 132, HONOLULU, HAWAII 96822
TEL/FAX: 808-373-7495

Filename: ASIC_LGA_inSocket.dwg		DWG: ASIC LGA in CINCH CIN:APSE Socket		
ALL DIMENSIONS IN INCHES [mm]		JOB No:		
TOLERANCES UNLESS OTHERWISE NOTED .X +/- 0.1 .XX +/- 0.01 .XXX +/- 0.002		DESIGN: Luppino	SIZE B	PROJECT: RSC
		DRAWN: Luppino	DATE: 21 Aug 05	DWG NO: REV:
		SCALE: 2X		SHEET:

REVISIONS	
REV	DESCRIPTION



GL SCIENTIFIC, Inc.
 3367 WAIALAE AVENUE, HONOLULU, HAWAII 96816
 TEL: 808-780-9501 FAX: 808-373-7495

Filename: DUAL-ASIC_LGA_CryoPCB		DWG: DUAL SIDECAR ASIC LGA CryoPCB Assembly - Exploded View			
ALL DIMENSIONS IN INCHES [mm]		JOB No:		DESIGN: Luppino	
TOLERANCES UNLESS OTHERWISE NOTED		SIZE B	PROJECT: TELEDYNE	DWG NO: T06002-1001	REV: -
.X	+/- 0.1	DRAWN: Luppino	DATE: 21 Oct 2006	SCALE: 1.5	SHEET: 2 of 2
.XX	+/- 0.01				
.XXX	+/- 0.002				

