

System Description

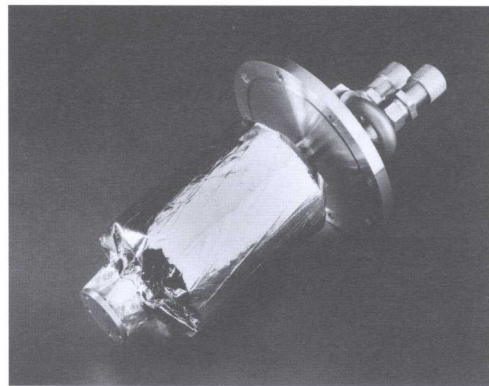
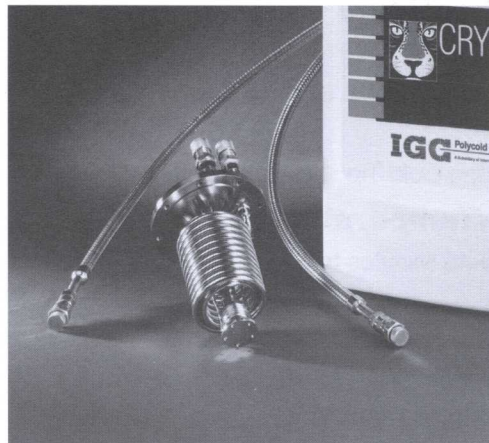
The CRYOTIGER® Cooling System provides a cost effective means of continuously cooling and maintaining temperatures to as low as -203° Celsius (70 Kelvin) without the need for replenishing or replacing any gas or liquid. The entire closed cycle system consists of a cold end, compact and portable compressor, and two gas transfer lines.

Electricity is the only utility required for operation and this is needed only for the compressor (the cold end does not require and electricity). The unit is CE mark approved and designed for maintenance free service. The CRYOTIGER system has a temperature range of -203° to 20° Celsius (70-293 Kelvin).

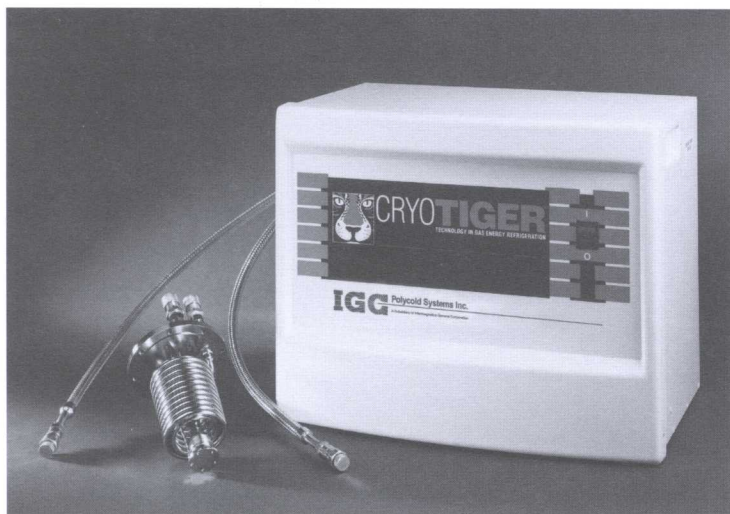
Standard Cold End

CRYOTIGER systems are available with several options for the user to select. The standard cold end is the most economical choice while also providing the widest range of performance capabilities. This cold end can also be used with all our gas blends, each providing unique cooling capacities within specific temperature ranges.

- Available either nickel plated or mylar wrapped
- Rugged, all metal, non-magnetic design
- No moving parts in the cold end minimizes maintenance or service requirements
- Can be used in any orientation and located up to 150 feet from the compressor
- Low vibration



Never Use Liquid Nitrogen for Cooling Again!





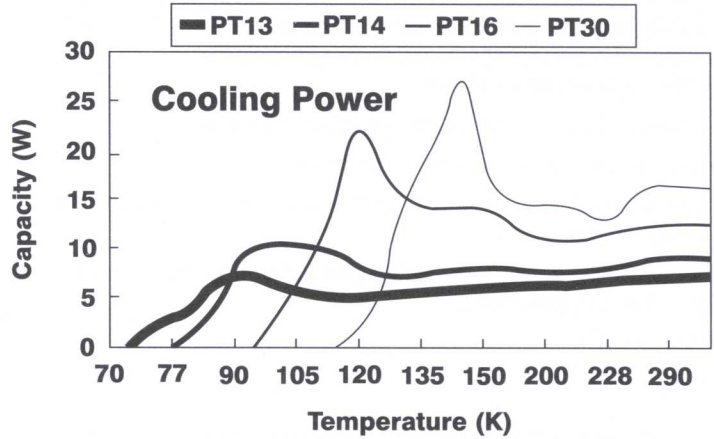
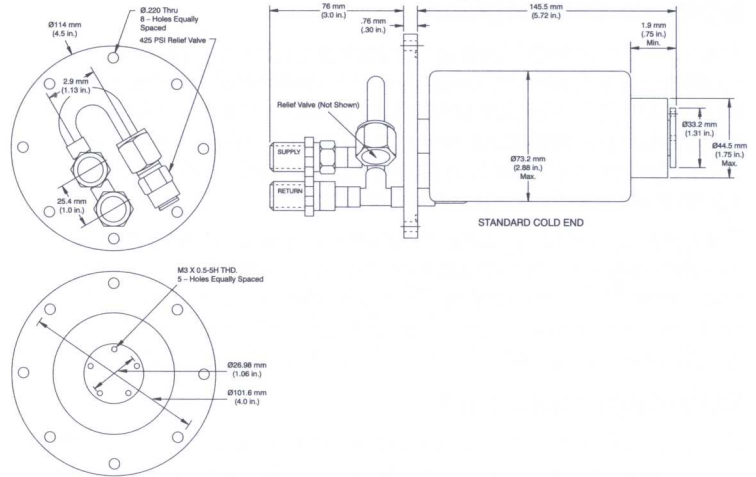
CRYOTIGER®

General Specifications:

- Weight = 1.7 kg (3.7 lbs.)
- Vacuum Insulation Requirement $\leq 10^{-4}$ torr
- Bakeable to 100°C
- Weight Supported at the Cold Tip ≤ 1.4 kg (3.0 lbs.)

Cooling Power/Temperatures:

- Cooldown Time of 30-45 Minutes to
 - 100 K (PT13/PT14)
 - 130 K (PT16/PT30)
- Optimal Wattages/Temperatures of Each Gas Blend*:
 - PT13 = 3 watts @ -196°C (77 K)
 - PT14 = 10 watts @ -179°C (94K)
 - PT16 = 22 watts @ -154°C (120 K)
 - PT30 = 27 watts @ -128° (145 K)
- Temperature Stability (at 20°C with a steady load): +/- 0.5 Kelvin
- * 50Hz operation – derate by 17%



Polycold Headquarters

IGC Polycold Systems Inc.
3800 Lakeville Hwy.
Petaluma, CA 94954
Phone: 707-769-7000
FAX: 707-769-1380
E-mail: sales@polycold.com

Call toll-free within the U.S.A.
Sales 888 4-POLYCOLD

World Wide Web

Visit our website
www.polycold.com

Polycold® is a registered trademark of
IGC Polycold Systems Inc.

© IGC Polycold Systems Inc. 12/01
Printed in U.S.A.

Specifications are subject to change without notice.