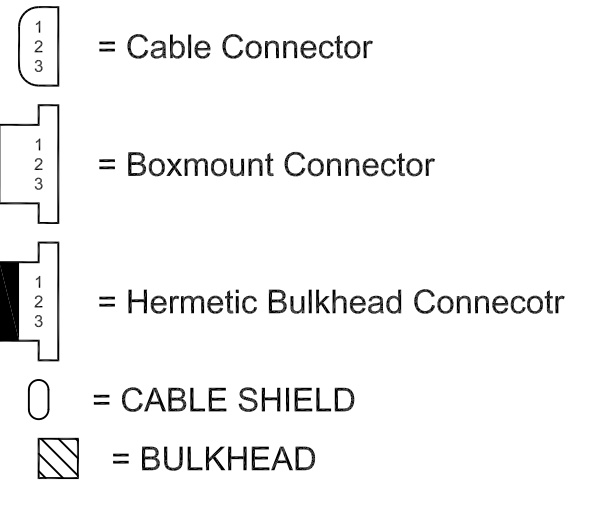


- Notes:
- 1) All temp sensor, limit/home, and pot-sense wires between the cold shroud or light baffle and the ampnet J-Plate are lakeshore QT-36 or DT-36. These can be shielded by hand with Lakeshore SSTL coax (stripped)
 - 2) The two heater wires are -26 AWG stranded copper, with heat sinks to be provided by OCIW.
 - 3) All cold internal wiring can be -26 AWG, but need to check ease of assembling LEMO connectors.
 - 4) Temp sense (4) color coded Green, Green Red, Yellow
 - 5) CAT6E cables are colored orange



Johns Hopkins University
Instrument Development Group

Name: 4STAR Electrical System Diagram
Rack2 Components

Material	Drawn	Date	Size	Drawing	Rev
N/A	J. Orndorff	10-7-2008	E	Number	C
Finish	Checked	Date	Scale	File	Sheet
N/A			N/A		1 OF 1

Part C
 Rev C
 Mac: jorndorff, G. S. Perrow, A. Mason 10/20/2009
 Updated P27 Connector modified for Fiber Optic Bundles for Neophem Mac Server 11-24-2009

Rack2